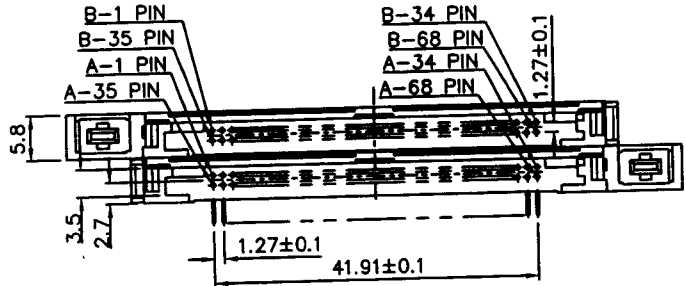
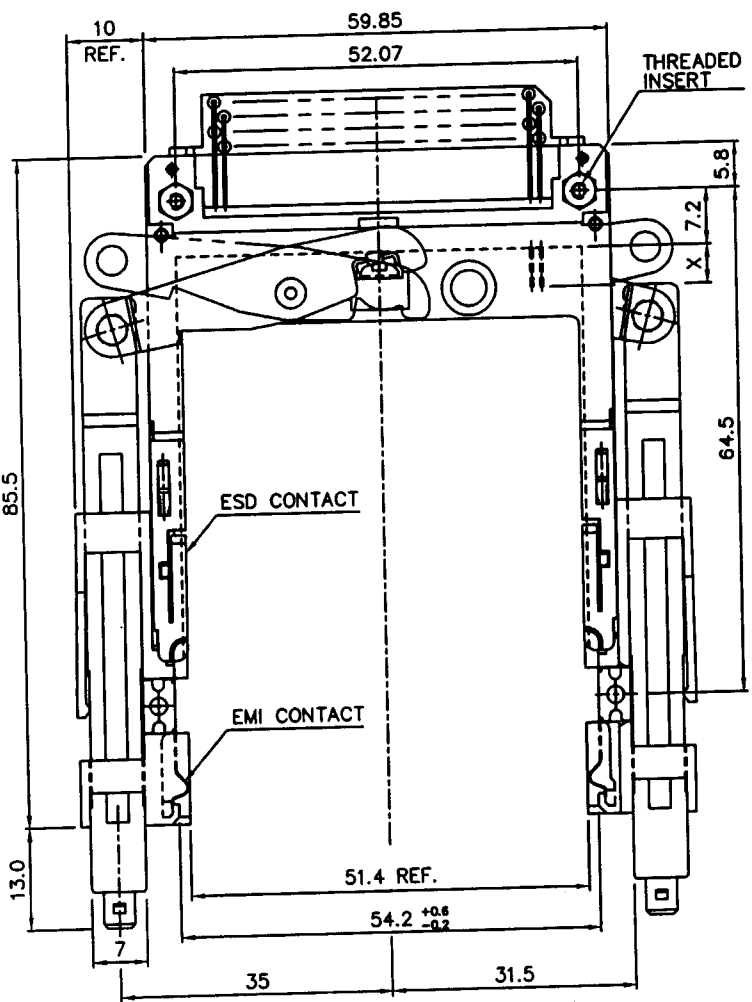
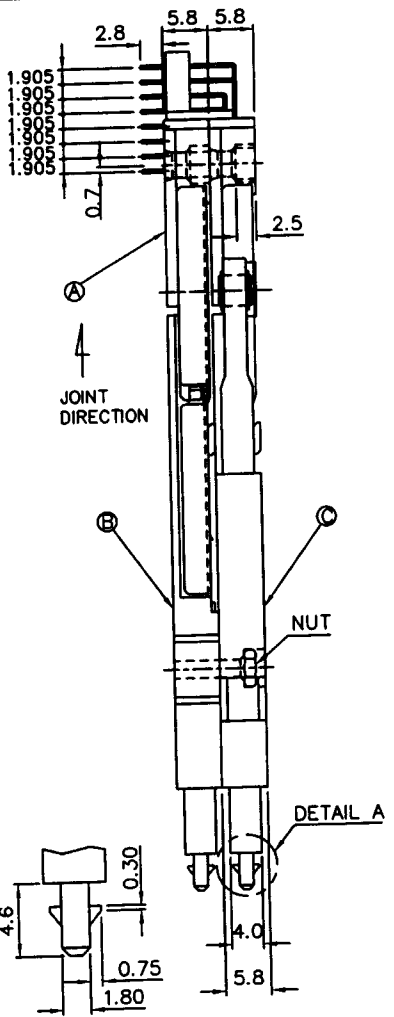


Tous droits strictement réservés. Reproduction ou communication, o des tiers int sans autorisation écrite du propriétaire.

All rights strictly reserved. Reproduction or issue to third parties in any form without written authority from the proprietor.

PRODUCT NO.
61716-100G*
SEE TABLE I



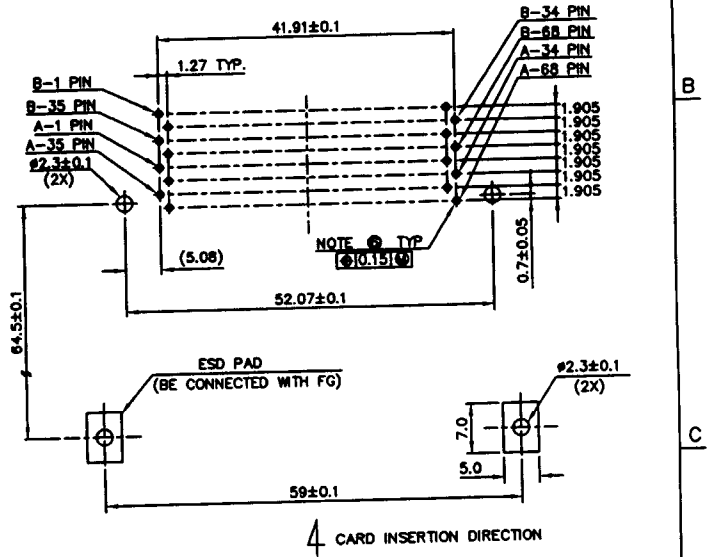
- NOTES:
 1. EJECT FORCE : 3.5 Kg MAX.
 2. EJECT TRAVEL: 8.0mm
 3. MATERIAL
 3.1 PART ① (HEADER ASS'Y)
 PLASTIC : HOUSING ...LCP UL94V-0 BLACK
 : LOCATOR ...G.F. 6/8 NYLON UL94-V0 BLACK
 PIN : PHOSPHOR BRONZE
 3.2 PART ② AND ③ (EJECT MECHANISM ASS'Y)
 PLASTIC : GUIDE: POLYPHTHALAMID UL94V-0 BLACK
 : PUSH ROD: POLYPHTHALAMID UL94V-0 BLACK
 PLATE : STAINLESS
 EMI CONTACT: PHOSPHOR BRONZE
 4. FINISH (PIN)
 UNDER PLATING : 0.5 μm MIN. NI
 CONTACT AREA : 0.1 μm MIN. GOLD OVER 0.5 μm MIN. Pd-NI
 SOLDER TAIL : 2.5 μm MIN. Sn-Pb
 5. DIM "X"

4.25±0.1	3.5±0.1	5.0±0.1
OTHERS	36,67	1,17,34,35,51,68

⑥ RECOMMENDED DIAMETER IS #1.0, FOR PROCESSES USING PASTE REFLOW, HOLE MAYBE AS SMALL AS #0.79.

7. TABLE I

*	PUSH ROD
A	BLACK
H	NATURAL



USE THE FOLLOWING P/N FOR OFFICIAL ORDERING

①	EJECT MECH ASS'Y	94307-10G*
		SEE TABLE I
②	EJECT MECH ASS'Y	88644-00G*
		SEE TABLE I
③	HDR ASS'Y	95705-000
	DESCRIPTION	P/N

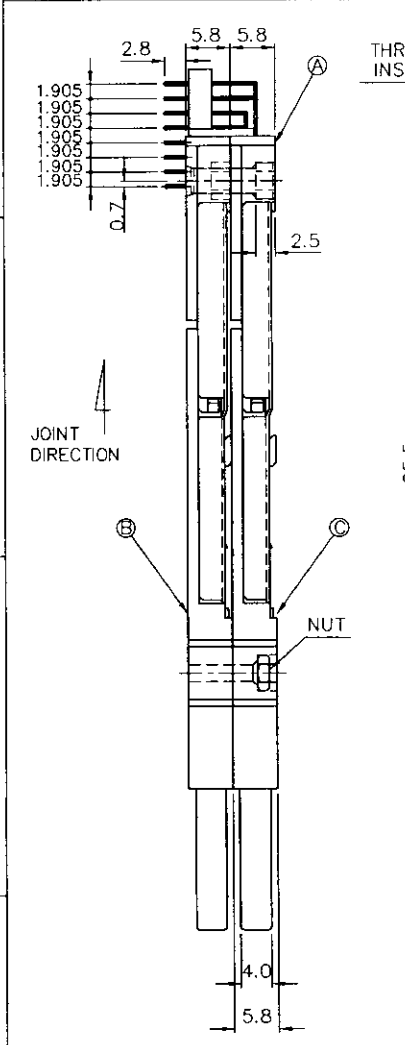
mat'l code		tolerance unless otherwise specified		CUSTOMER COPY	ELECTRONICS FCI	
rev.	ecn no.	dr	date	linear	projection	title
A	T60402	W L	10/03/96	±0.30		68P DOUBLE EJECTOR HEADER ASS'Y FOR TYPE 1/2/3
B	T10068	W L	03/06/01	angles ± 2'		product family : PCMCIA
		dr	WENDY CHEN	10/03/96	unit	code
		enr	JOSEPH HSIA	10/03/96	m/m/inch	TWN
		chr	JOSEPH HSIA	10/03/96	scale	sheet
		appd	JENN TSAO	10/03/96	1.5:1	1 of 3
sheet	revision	B	A	B		
index	sheet	1	2	3		

Tous droits strictement réservés. Reproduction ou communication à des tiers sans autorisation écrite de BERG ELECTRONICS. Droite de reproduction BERG ELECTRONICS by

BERG ELECTRONICS

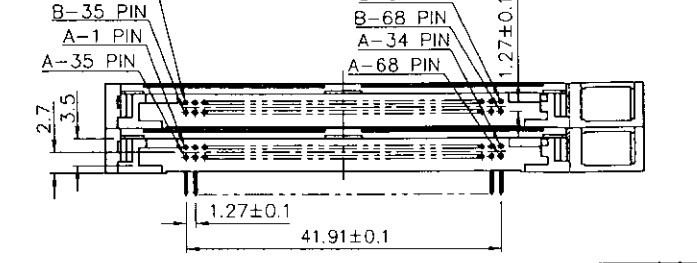
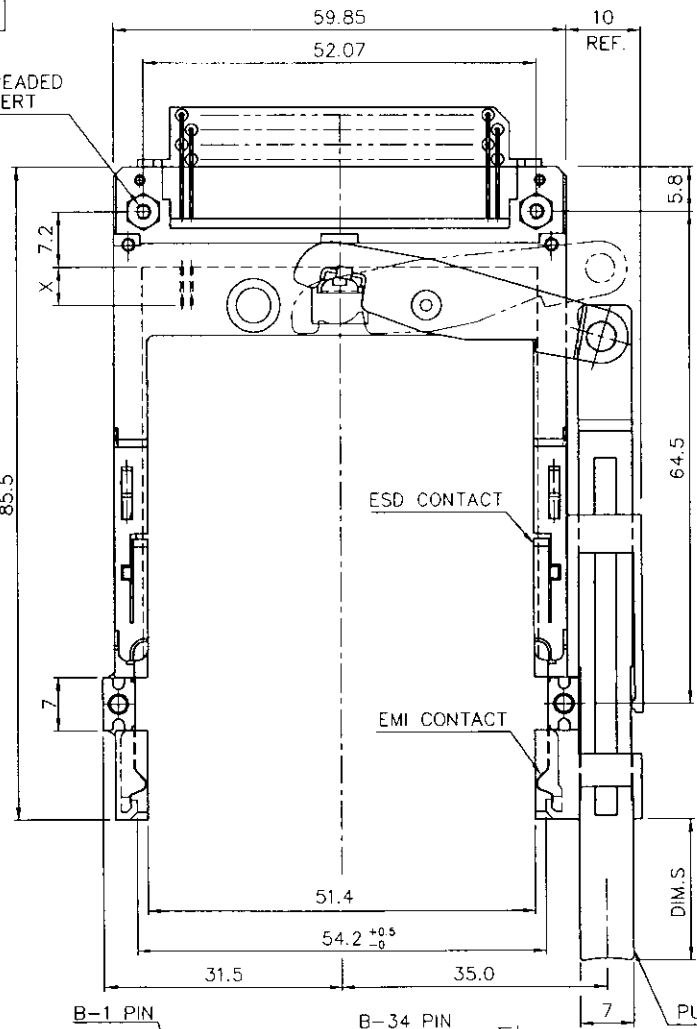
All rights strictly reserved. Reproduction or issue to third parties in any form without written authority from the proprietor. Copyright BERG ELECTRONICS by

PRODUCT NO.
61716-200** SEE TABLE I



USE THE FOLLOWING P/N FOR OFFICIAL ORDERING

Ⓒ	EJECT MECH ASS'Y	94307-00** SEE TABLE I
Ⓑ	EJECT MECH ASS'Y	88644-00** SEE TABLE I
Ⓐ	HDR ASS'Y	95705-000
DESCRIPTION	P/N	

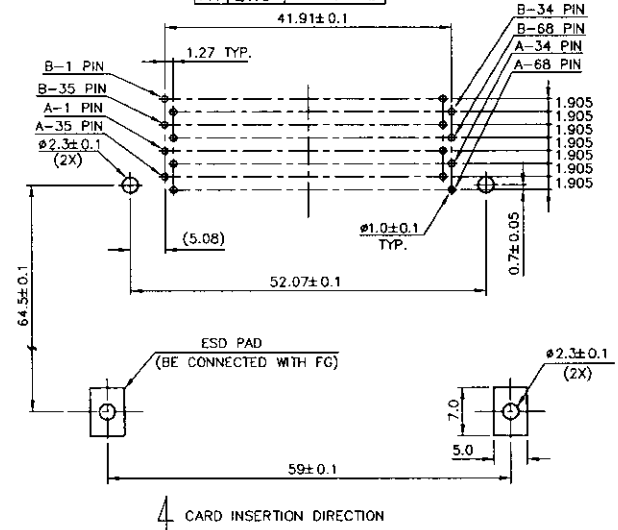


- NOTES:
- EJECT FORCE : 3.5 Kg MAX.
 - EJECT TRAVEL: 8.0mm
 - MATERIAL
 - 3.1 PART Ⓐ (HEADER ASS'Y)
PLASTIC : HOUSING ...LCP UL94V-0 BLACK
LOCATOR ...G.F. 6/6 NYLON UL94-V0 BLACK
PIN : PHOSPHOR BRONZE
 - 3.2 PART Ⓑ AND Ⓒ (EJECT MECHANISM ASS'Y)
PLASTIC : GUIDE: POLYPHTHARAMID UL94V-0 BLACK
PUSH ROD: POLYPHTHARAMID UL94V-0 BLACK
PLATE : STAINLESS
EMI CONTACT: PHOSPHOR BRONZE
 - FINISH (PIN)
UNDER PLATING : 0.5 μm MIN. Ni
CONTACT AREA : 0.1 μm MIN. GOLD OVER 0.5 μm MIN. Pd-Ni
SOLDER TAIL : 2.5 μm MIN. Sn-Pb
 - DIM "X"

4.25±0.1	3.5±0.1	5.0±0.1
OTHERS	36,67	1,17,34,35,51,68

6. TABLE I

**	DIM.S	PUSH ROD COLOR
CA	13.0	BLACK
CH	13.0	NATURAL
DA	15.2	BLACK
DH	15.2	NATURAL
EA	18.5	BLACK
EH	18.5	NATURAL
FA	21.0	BLACK
FH	21.0	NATURAL



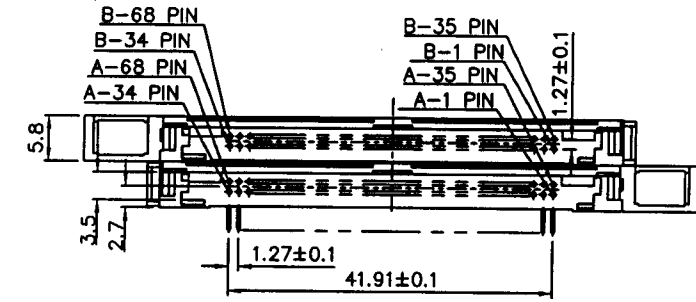
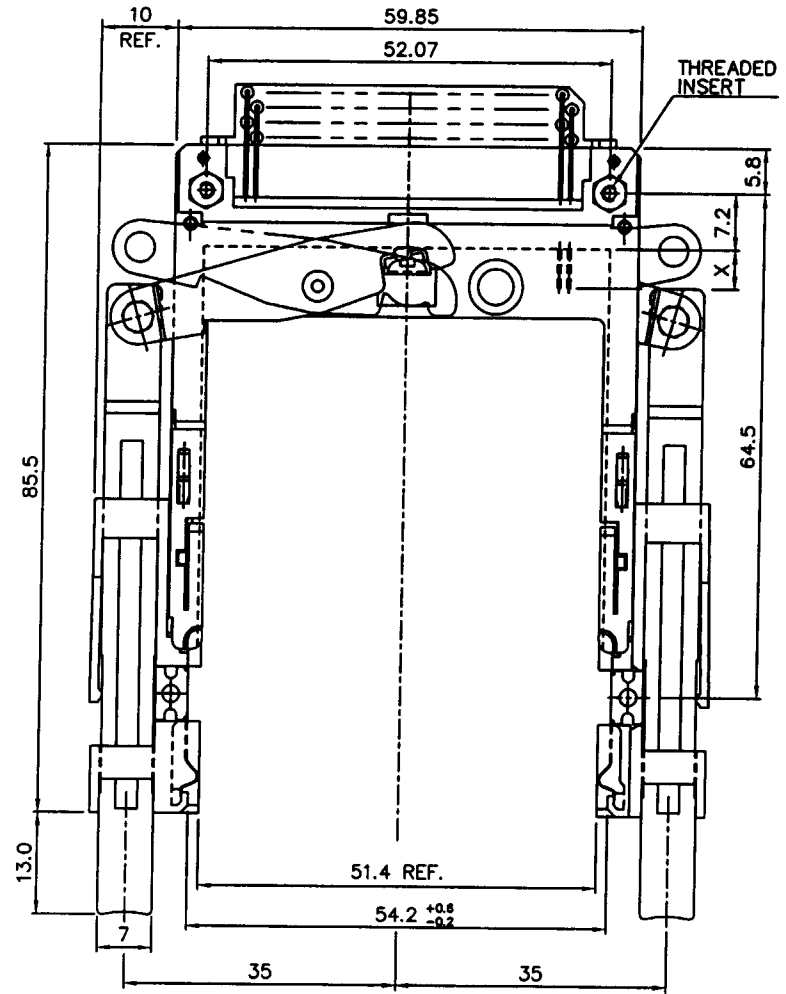
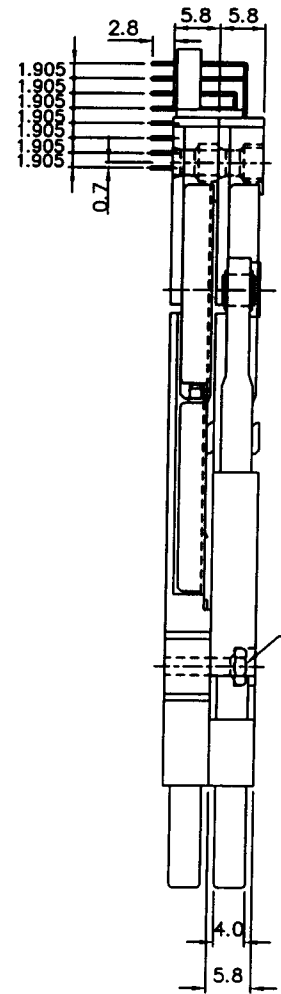
mat'l code		tolerance unless otherwise specified		CUSTOMER COPY		BERG ELECTRONICS	
rev.	ecn no.	dr	date	linear	±0.30	projection	title
A				angles	±2°		68P DOUBLE EJECTOR HEADER ASS'Y FOR TYPE 1/2/3
				dr	WENDY CHEN	10/03/96	unit
				enqr	JOSEPH HSIA	10/03/96	product family
				chr	JOSEPH HSIA	10/03/96	size
				appd	JENN TSAO	10/03/96	scale
						1.5:1	A3
sheet		revision		code		TWN	
index		sheet		61716		sheet 2 OF	

Tous droits strictement réservés. Reproduction ou communication à des tiers sans autorisation écrite du propriétaire.
 Property of FCI Electronics. Reproduction or communication to other parties without written authority from the proprietor.
 Copyright FCI Electronics. All rights reserved.



All rights strictly reserved. Reproduction or issue to third parties is only for whatever is not permitted without written authority from the proprietor.
 Property of FCI Electronics. Reproduction or communication to other parties without written authority from the proprietor.
 Copyright FCI Electronics. All rights reserved.

PRODUCT NO.
 61716-600**
 SEE TABLE I



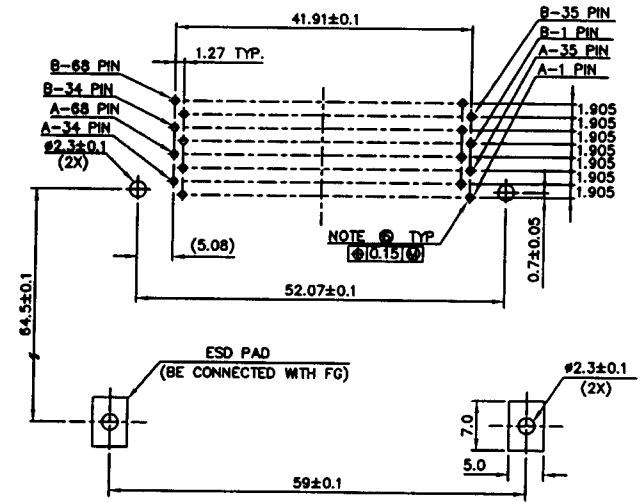
- NOTES:
 1. EJECT FORCE : 3.5 Kg MAX.
 2. EJECT TRAVEL: 8.0mm
 3. MATERIAL
 3.1 HEADER ASS'Y:
 PLASTIC : HOUSING ...LCP UL94V-0 BLACK
 LOCATOR ...G.F. 6/6 NYLON UL94-V0 BLACK
 PIN : COPPER ALLOY
 3.2 EJECT MECHANISM ASS'Y:
 PLASTIC : GUIDE: POLYPHTHAMID UL94V-0 BLACK
 PUSH ROD: POLYPHTHAMID UL94V-0 BLACK
 PLATE : STAINLESS
 EMI CONTACT: PHOSPHOR BRONZE
 4. FINISH (PIN)
 UNDER PLATING : 0.5 μm MIN. NI
 CONTACT AREA : 0.1 μm MIN. GOLD OVER 0.5 μm MIN. Pd-NI
 SOLDER TAIL : 2.5 μm MIN. Sn-Pb
 5. DIM "X"

4.25±0.1	3.5±0.1	5.0±0.1
OTHERS	36,67	1,17,34,35,51,68

RECOMMENDED DIAMETER IS #1.0, FOR PROCESSES USING PASTE REFLOW, HOLE MAYBE AS SMALL AS #0.79.

7. TABLE I

*	PUSH ROD COLOR
A	BLACK
H	NATURAL



CARD INSERTION DIRECTION

mat'l code		tolerance unless otherwise specified		CUSTOMER		ELECTRONICS	
rev. ecn no. dr date		±0.30		COPY		FCI	
B		linear		projection		title	
		angles ± 2°		unit		DOUBLE EJECTOR HEADER ASS'Y (3.3V) FOR TYPE 1/2/3	
dr WENDY CHEN 03/05/01		mm/inch		product family : PCMCIA		code	
enqr MINERVA WANG 03/05/01		scale		size dwg no.		TWN	
chr JOSEPH HSIA 03/05/01		A3		61716		sheet	
appd JOSEPH HSIA 03/05/01						3 of	
sheet revision							
index sheet							